

# Hydraulic jaw puller kit TMHP 10E

## Effortless bearing dismounting up to 100 kN

The SKF TMHP 10E jaw puller kit is equipped with a hydraulic spindle, which facilitates effortless bearing dismounting up to 100 kN (11.2 ton US).

- High load rating of 100 kN (11.2 ton US) makes the puller suitable for a variety of dismounting jobs
- The 3 different arm sizes, with a maximum effective arm length of 200 mm (7.9 in), make the TMHP 10E suitable for use in a wide range of applications
- The self-locking arms minimise the risk of the puller slipping from the application when under load
- Hydraulic spindle facilitates effortless dismounting
- The hydraulic spindle is equipped with a safety valve, which minimises the risk of puller overload by limiting the applied force to 100 kN (11.2 ton US)

The versatile puller kit includes three different arm sizes and can be assembled as a two-arm puller or a three-arm puller depending on the space and demand of the application.

- Long stroke of hydraulic spindle, 80 mm (3.1 in), facilitates dismounting in one operation
- Extension pieces of the hydraulic spindle allow quick adaptation to pulling length
- The spring-loaded centre point of the hydraulic spindle allows easy centring of the puller on the shaft without damaging it

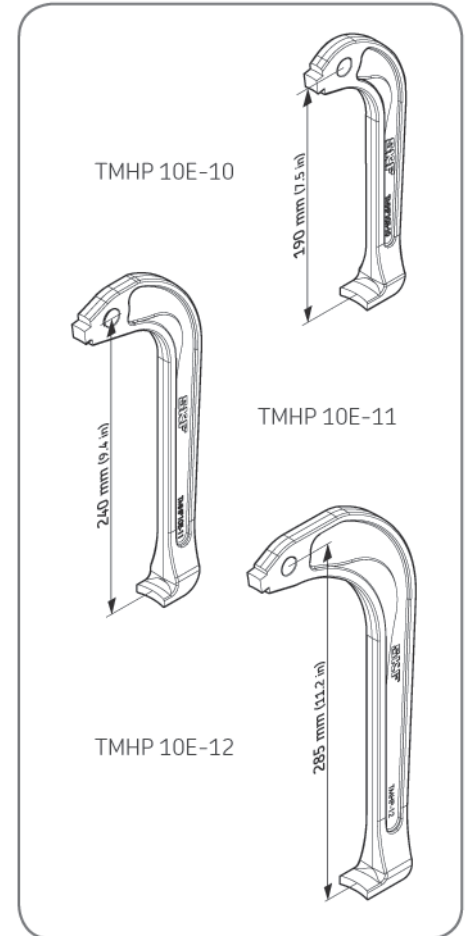
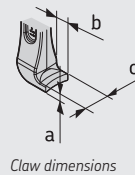


Dismounting



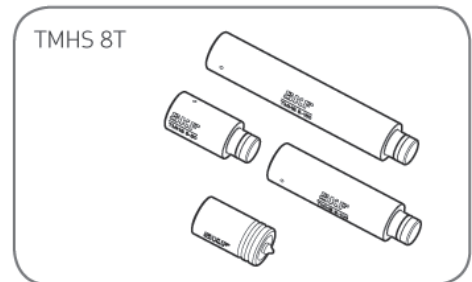
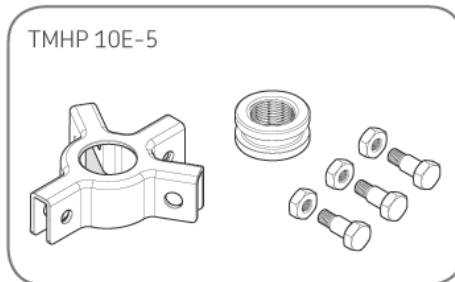
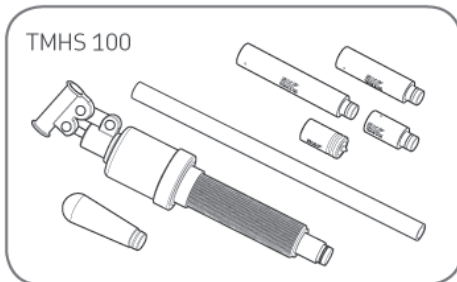
## Technical data

<b>Designation</b>	<b>TMHP 10E</b>
<b>Description</b>	Advanced hydraulic jaw puller kit
<b>Contents</b>	1 × arm-assembly stand 3 × arms, 120 mm (4.7 in) 3 × arms, 170 mm (6.7 in) 3 × arms, 200 mm (7.8 in) 1 × hydraulic spindle TMHS 100 3 × extension pieces for hydraulic spindle; 50, 100, 150 mm (2, 4, 6 in) 1 × nosepiece with centre point for hydraulic spindle
<b>Maximum stroke</b>	80 mm (3.1 in)
<b>Weight complete kit</b>	14,5 kg (32 lb)
<b>Cycle life hydraulic cylinder</b>	Minimum 5000 cycles up to 100 kN (11.2 US ton force)
<b>Threading hydraulic cylinder</b>	UN 1½" × 16 tpi
<b>Safety valve setting hydraulic cylinder</b>	105 kN (11.8 US ton force)
<b>Carrying case dimensions</b>	578 × 410 × 70 mm (23 × 16 × 2.8 in)
<b>Nominal working force</b>	100 kN (11.2 US ton force)
<b>Arm set 1 (3 × TMHP 10E-10)</b>	
<b>Effective arms length</b>	120 mm (4.7 in)
<b>Width of grip</b>	75–170 mm (3.0–6.7 in)
<b>Claw dimensions</b>	a = 6 mm (0.2 in) b = 15 mm (0.6 in) c = 25 mm (1 in)
<b>Arm set 2 (3 × TMHP 10E-11)</b>	
<b>Effective arms length</b>	170 mm (6.7 in)
<b>Width of grip</b>	80–250 mm (3.1–9.8 in)
<b>Claw dimensions</b>	a = 6 mm (0.2 in) b = 12 mm (0.5 in) c = 25 mm (1 in)
<b>Arm set 3 (3 × TMHP 10E-12)</b>	
<b>Effective arms length</b>	200 mm (7.8 in)
<b>Width of grip</b>	110–280 mm (4.3–11 in)
<b>Claw dimensions</b>	a = 6 mm (0.2 in) b = 12 mm (0.5 in) c = 25 mm (1 in)



## Part identification

Designation	Description
<b>TMHS 100</b>	Advanced hydraulic spindle, 100 kN
<b>TMHS 8T</b>	Set of extension pieces for the hydraulic spindle, nose piece
<b>TMHP 10E-5</b>	Arm-assembly stand, centre, bolts and nuts
<b>TMHP 10E-10</b>	120 mm arm (4.7 in)
<b>TMHP 10E-11</b>	170 mm arm (6.7 in)
<b>TMHP 10E-12</b>	200 mm arm (7.8 in)



© SKF is a registered trademark of the SKF Group  
© SKF Group 2009

The contents of this publication are the copyright of the publisher and may not be reproduced (even extracts) unless prior written permission is granted. Every care has been taken to ensure the accuracy of the information contained in this publication but no liability can be accepted for any loss or damage whether direct, indirect or consequential arising out of the use of the information contained herein.

MP/PDS TMHP10E EN • October 2009

[www.mapro.skf.com](http://www.mapro.skf.com) • [skf.com/mount](http://skf.com/mount) • [skf.com/lubrication](http://skf.com/lubrication)

