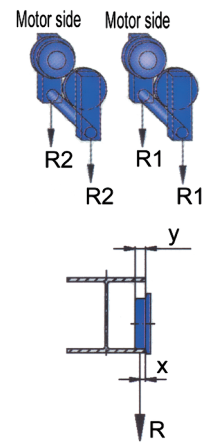
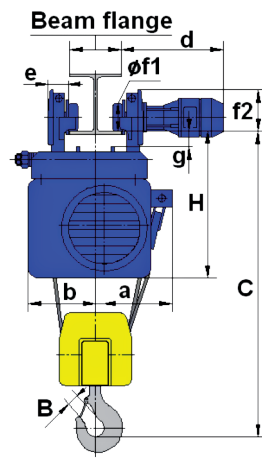
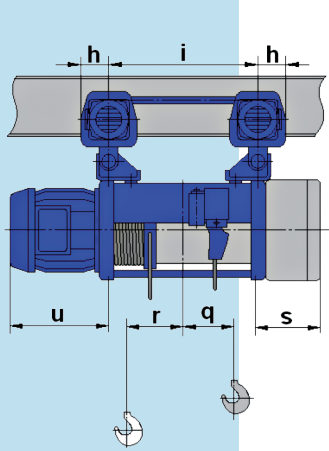


## normal headroom hoist M, 4 rope falls (reeving 4/1)



Hoist type	Capacity, kg	Rope, mm	Fixed dimensions, mm											Max beam flange width	Min beam flange width
			B	C	H	a	b	d	e	f1	f2	g	h		
1	2	3	4	5	6	7	8	9	10	11	12	13	14	15	16
M740	16000	Ø15	71	1600	771	410	358	550	122	250	282	50	176	300	150

Hoist type	Hook travel, m	Variable dimensions, mm					
		i	q	r	s	Motors	
						NA	VA
1	2	3	4	5	6	7	8
M740	7	553	37	70	299	502	508
	9	713	117	36			
	13	928	224	-18			
	16	1143	332	-72			

Wheel diameter, mm	x	y
250	22	45

Hoist type	Capacity, kg	Hook travel, m	Hook position	Reactions, kg	
				R1	R2
1	2	3	4	5	6
M740	16000	7	uep	3465	4535
			dep	5012	2988
		9	uep	2687	5313
			dep	4404	3596
		13	uep	2069	5931
			dep	3845	4155
		16	uep	1677	6323
			dep	3496	4504

Hoist capacity, kg	Weight, kg			
	Hook travel, m			
16000	7	9	13	16
	990	1160	1330	1515

uep – upper end position of the hook; dep – down end position of the hook.