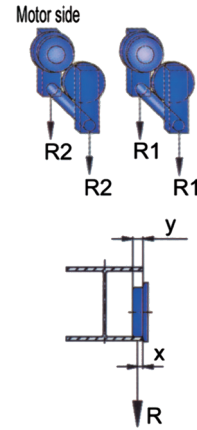
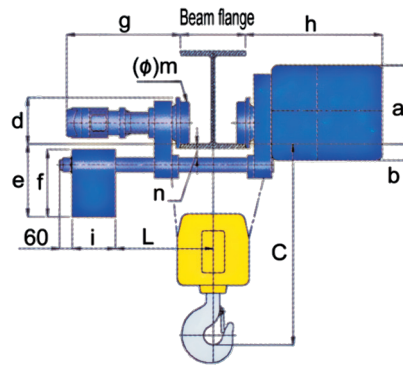
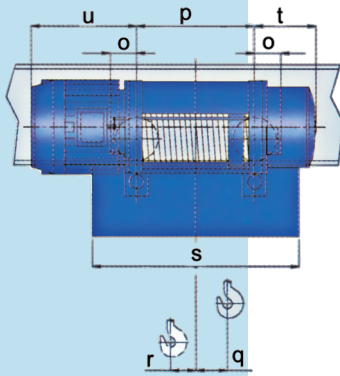


low headroom hoist MT, 2 rope falls (reeving 2/1)



Hoist type	Capacity, kg	Rope, mm	Fixed dimensions, mm													Max beam flange width x C meas*	Min beam flange width
			C	a	b	d	e	f	g	h	i	L	m	n	o		
1	2	3	4	5	6	7	8	9	10	11	12	13	14	15	16	17	18
MT305	1000	Ø7	649	265	45	114	340	310	420	455	12	550...465	97,5	61	83	300	130
MT308	1600	Ø7	749	265	45	114	340	310	420	455	12	550...465	97,5	61	83	300	130
MT312	2500	Ø10	819	240	69	140	369	310	426	468	12	624...539	122	82	100	300	130
MT316	3200	Ø10	819	240	69	140	369	310	426	468	12	624...539	122	82	100	300	130
MT525	5000	Ø12	924	283	71	146	359	310	483	524	40	631...546	122	77	95	300	130

Hoist type	Hook travel, m	Variable dimensions, mm							Motors	
		p	q	r	s	t	u	u	NA	VA
									u	u
1	2	3	4	5	6	7	8	9		
MT305	10	395	88	65	700	200	357	376		
	14	520	149	65	700	200	357	376		
	20	700	239	65	800	200	357	376		
MT308	10	395	88	65	700	200	376	483		
	14	520	149	65	700	200	376	483		
	20	700	239	65	800	200	376	483		
MT312	10	440	99,5	68	700	246	483	483		
	14	570	164,5	68	700	246	483	483		
	20	775	267	68	900	246	483	483		
MT316	10	440	99,5	68	700	246	483	607		
	14	570	164,5	68	700	246	483	607		
	20	775	267	68	900	246	483	607		
MT525	10	455	85	82	700	266	612	-		
	14	590	152,5	82	700	266	612	-		
	20	795	255	82	900	266	612	-		
	26	995	355	82	1100	266	612	-		

Wheel diameter, mm	x	y
97,5	20	40
122	20	40

Hoist capacity, kg	Weight, kg			
	Hook travel, m			
	10	14	20	26
1000	270	277	295	305
1600	275	293	306	315
2500	326	361	386	418
3200	356	374	412	430
5000	500	515	530	590

Hoist type	Capacity, kg	Hook position	Hook travel, m							
			10		14		20		26	
			R1	R2	R1	R2	R1	R2	R1	R2
1	2	3	4	5	6	7	8	9	10	11
MT305	1000	uep	361	139	393	107	421	79	-	-
		dep	168	332	189	311	203	297	-	-
MT308	1600	uep	577	223	629	171	673	127	-	-
		dep	268	532	302	498	325	475	-	-
MT312	2500	uep	906	344	985	265	1055	195	-	-
		dep	432	818	472	778	517	733	-	-
MT316	3200	uep	1160	440	1260	340	1350	250	-	-
		dep	553	1047	604	996	662	938	-	-
MT525	5000	uep	1714	786	1894	606	2050	450	2141	359
		dep	794	1706	898	1602	995	1505	1044	1456

uep – upper end position of the hook; dep – down end position of the hook.

*For wider beam flanges, as specified, the measure "C" (space required by the hook) increases of 12 mm with every 10 mm beam flange width.