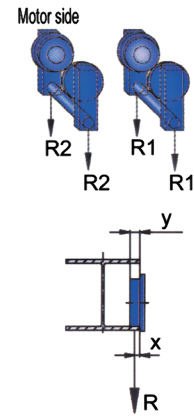
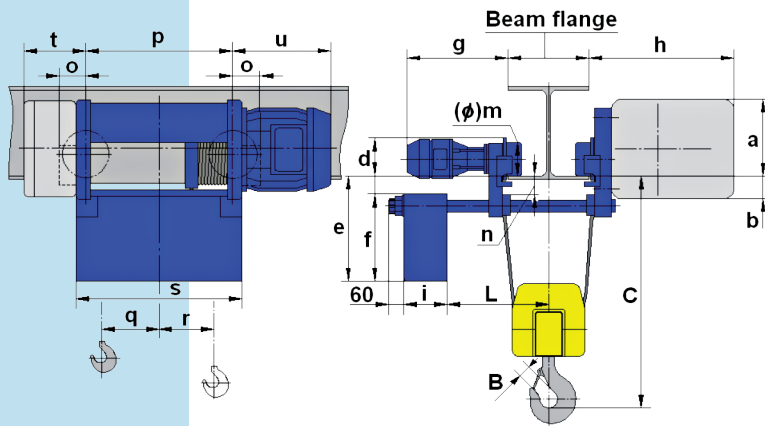


low headroom hoist M, 2 rope falls (reeving 2/1)



Hoist type	Capacity, kg	Rope, mm	Fixed dimensions, mm														Max beam flange width x C meas*	Min beam flange width
			B	C	a	b	d	e	f	g	h	i	L	m	n	o		
1	2	3	4	5	6	7	8	9	10	11	12	13	14	15	16	17	18	19
M740	8000	Ø15	56	925	454,5	75,5	218	395	365	430	762	230	650...565	200	42,5	145	300	130

Hoist type	Hook travel, m	Variable dimensions, mm							Motors	
		p	q	r	s	t	NA	VA		
							u	u		
1	2	3	4	5	6	7	8	9		
M740	14	553	130	83	673	299	502	508		
	19	713	160	133	833					
	26	928	268	133	1048					

Wheel diameter, mm	x	y
200	22	45

Hoist type	Capacity, kg	Hook travel, m	Hook position	Reactions, kg	
				R1	R2
1	2	3	4	5	6
M740	8000	14	uep	1060	2940
			dep	2600	1400
		19	uep	1103	2897
			dep	2746	1254
		26	uep	845	3155
			dep	2573	1427

Hoist capacity, kg	Weight, kg		
	Hook travel, m		
8000	14	19	26
	870	1000	1080

uep – upper end position of the hook; dep – down end position of the hook

*For wider beam flanges, as specified, the measure "C" (space required by the hook) increases of 12 mm with every 10 mm beam flange width.