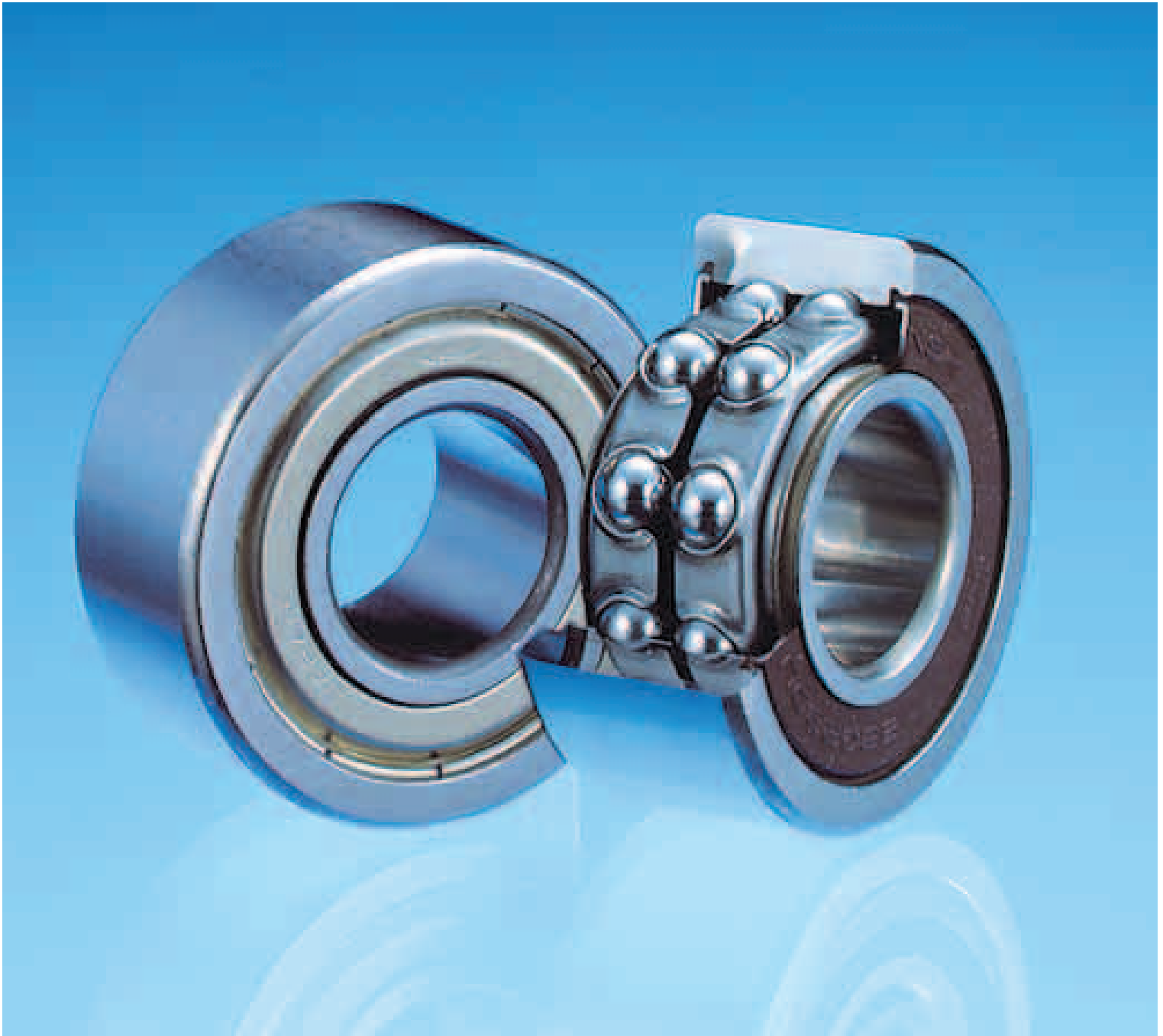


# Sealed & Shielded Type Double Row Angular Contact Ball Bearings

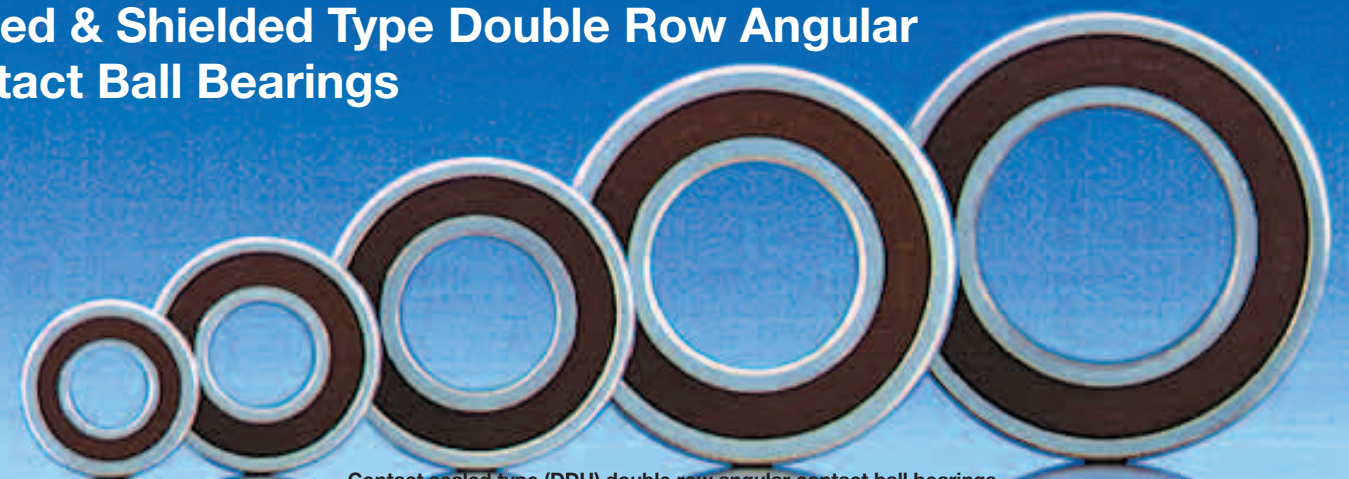
In addition to the quality and compactness customers already enjoy, NSK now offers sealed and shielded types for greater convenience and protection.



# Sealed & Shielded Type Double Row Angular Contact Ball Bearings



Shielded type (ZZ) double row angular contact ball bearings



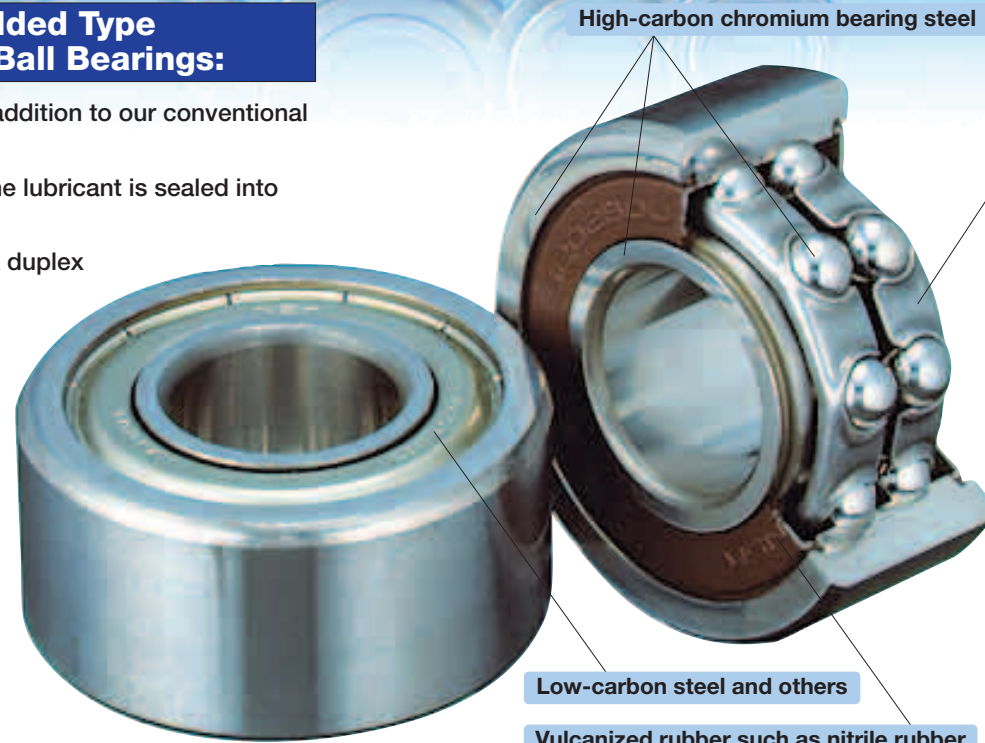
Contact sealed type (DDU) double row angular contact ball bearings

## Features of the Sealed & Shielded Type Double Row Angular Contact Ball Bearings:

- Availability of sealed or shielded types in addition to our conventional open-type products
- No need to replace or refill grease since the lubricant is sealed into the bearings
- Compact and narrower than back-to-back duplex (DB) products
- Capable of accommodating heavy radial loads, axial loads in either direction
- High capacity for momentary loads

Bearing Nomenclature

5202□DDU	NS7S
Internal configuration	Grease type
5202□ZZ	NS7S

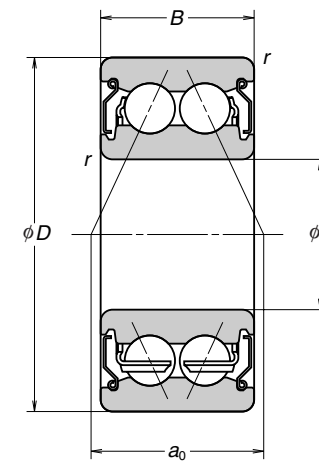


High-carbon chromium bearing steel

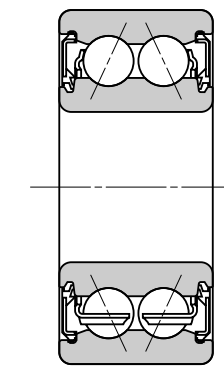
Low-carbon steel and others

Low-carbon steel and others

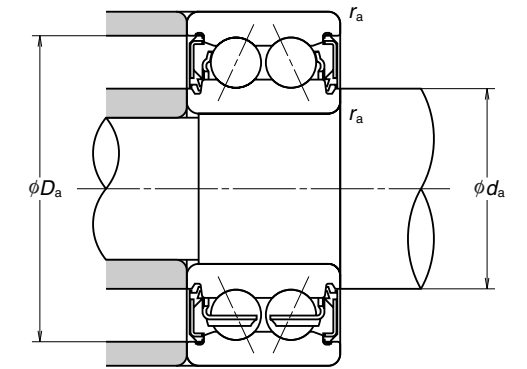
Vulcanized rubber such as nitrile rubber



Shielded type (ZZ)



Contact sealed type (DDU)



Dynamic Equivalent Load:  
 $P = XF_r + YF_a$

e	$F_a / F_r \leq e$		$F_a / F_r > e$	
	X	Y	X	Y
0.68	1	0.92	0.67	1.41

Static Equivalent Load:  
 $P_0 = F_r + 0.76F_a$

Bearing Numbers <sup>(1)</sup>	Boundary Dimensions (mm)		Basic Load Ratings				Limiting Speeds (min <sup>-1</sup> )		Abutment and Fillet Dimensions (mm)				Load Center Spacings (mm)				
	Shielded Type	Sealed Type	d	D	B	r (Minimum)	C <sub>r</sub> (N)	C <sub>or</sub> (kgf)	C <sub>r</sub> (N)	C <sub>or</sub> (kgf)	ZZ	DDU	d <sub>a</sub> (Minimum)	d <sub>a</sub> (Maximum)	D <sub>a</sub> (Minimum)	r <sub>a</sub> (Maximum)	a <sub>0</sub>
5200	ZZ	DDU	10	30	14.3	0.6	7 150	3 900	730	400	17 000	15 000	14	15.5	26	0.6	14.5
5201	ZZ	DDU	12	32	15.9	0.6	8 500	5 300	865	540	15 000	12 000	16	19.0	28	0.6	16.3
5202	ZZ	DDU	15	35	15.9	0.6	8 500	5 300	865	540	13 000	12 000	19	19.0	31	0.6	16.3
5302	ZZ	DDU		42	19.0	1	14 700	9 100	1 500	930	11 000	10 000	21	22.5	36	1	21.0
5203	ZZ	DDU	17	40	17.5	0.6	12 700	8 300	1 290	850	11 000	10 000	21	23.5	36	0.6	20.1
5303	ZZ	DDU		47	22.2	1	19 600	12 400	2 000	1 270	10 000	9 500	23	25.5	41	1	24.3
5204	ZZ	DDU	20	47	20.6	1	15 900	10 700	1 620	1 090	10 000	9 000	26	26.5	41	1	23.0
5304	ZZ	DDU		52	22.2	1.1	19 700	12 800	2 010	1 300	9 000	8 500	27	28.0	45	1	25.4
5205	ZZ	DDU	25	52	20.6	1	16 900	12 300	1 730	1 260	8 500	7 500	31	32.0	46	1	25.4
5305	ZZ	DDU		62	25.4	1.1	25 200	18 200	2 570	1 850	7 500	6 300	32	38.5	55	1	30.9
5206	ZZ	DDU	30	62	23.8	1	25 200	18 200	2 570	1 850	7 100	6 300	36	38.5	56	1	30.9
5306	ZZ	DDU		72	30.2	1.1	39 000	28 700	4 000	2 920	6 300	5 300	37	44.5	65	1	36.6
5207	ZZ	DDU	35	72	27.0	1.1	34 000	25 300	3 500	2 580	6 300	5 300	42	45.0	65	1	36.3
5307	ZZ	DDU		80	34.9	1.5	44 000	33 500	4 500	3 400	5 600	4 800	44	50.5	71	1.5	41.5
5208	ZZ	DDU	40	80	30.2	1.1	36 500	29 000	3 700	2 960	5 600	4 800	47	50.5	73	1	39.4
5308	ZZ	DDU		90	36.5	1.5	49 500	38 000	5 050	3 900	5 300	4 500	49	53.0	81	1.5	43.8
5209	ZZ	DDU	45	85	30.2	1.1	41 500	33 500	4 250	3 450	5 000	4 300	52	55.5	78	1	42.5
5309	ZZ	DDU		100	39.7	1.5	61 500	48 500	6 250	4 950	4 500	3 900	54	61.5	91	1.5	50.4
5210	ZZ	DDU	50	90	30.2	1.1	40 500	36 000	4 100	3 700	4 800	4 000	57	60.0	83	1	44.0
5310	ZZ	DDU		110	44.4	2.5	74 000	59 500	7 550	6 050	4 300	3 600	62	67.0	98	2.5	54.8
5211	ZZ	DDU	55	100	33.3	1.5	49 500	43 500	5 050	4 450	4 300	3 600	64	66.5	91	1.5	49.2
5311	ZZ	DDU		120	49.2	2.5	88 000	71 500	8 950	7 300	3 800	3 200	67	73.5	108	2.5	60.0

Note: (1) These bearing numbers are for the double-shielded and double-sealed types. Single-shielded and single-sealed types are also available.



## Worldwide Sales Offices

**NSK Ltd. - Headquarters, Tokyo, Japan** [www.nsk.com](http://www.nsk.com)  
 INDUSTRIAL MACHINERY BEARINGS DIVISION-HEADQUARTERS tel: 03-3779-7227  
 AFTERMARKET BUSINESS DIVISION-HEADQUARTERS tel: 03-3779-8893  
 AUTOMOTIVE BUSINESS DIVISION-HEADQUARTERS tel: 03-3779-7189  
 NEEDLE ROLLER BEARINGS STRATEGIC DIVISION-HEADQUARTERS tel: 03-3779-7288  
 PRECISION MACHINERY & PARTS DIVISION-HEADQUARTERS tel: 03-3779-7163

### Africa

**South Africa:**  
 NSK South Africa (Pty) Ltd. Johannesburg tel: 011-458-3600

### Asia and Oceania

**Australia:**  
 NSK Australia Pty. Ltd. Melbourne [www.au.nsk.com](http://www.au.nsk.com)  
 tel: 03-9764-8302

### China:

NSK Hong Kong Ltd. Hong Kong tel: 2739-9933  
 Kunshan NSK Co., Ltd. Kunshan Plant tel: 0512-5771-5654  
 Changshu NSK Needle Bearing Co., Ltd. Jiangsu Plant tel: 0512-5230-1111  
 Guizhou HS NSK Bearings Co., Ltd. Anshun Plant tel: 0853-3522332  
 Dongguan Plant tel: 0769-262-0960  
 Zhangjiagang NSK Precision Machinery Co., Ltd. Jiangsu Plant tel: 0512-5867-6496  
 Timken-NSK Bearings (Suzhou) Co., Ltd. Jiangsu Plant tel: 0512-6665-5666

NSK China Technology Center Jiangsu tel: 0512-5771-5654  
 NSK (Shanghai) Trading Co., Ltd. Shanghai tel: 021-6235-0198  
 NSK Representative Offices [www.nsk.com.cn](http://www.nsk.com.cn)  
 Beijing tel: 010-6590-8161  
 Guangzhou tel: 020-3786-4833  
 Anshun tel: 0853-3522522  
 Chengdu tel: 028-8661-4200  
 Shenzhen tel: 0755-25904886  
 Changchun tel: 0431-8988682

NSK (China) Investment Co., Ltd. Shanghai tel: 021-6235-0198  
**India:**  
 Rane NSK Steering Systems Ltd. Chennai tel: 044-274-66002  
 NSK Ltd. India Blanch Office Chennai tel: 044-2446-6862  
 Gurgaon tel: 124-4104530

**Indonesia:**  
 PT. NSK Bearings Manufacturing Indonesia Jakarta tel: 021-898-0155  
 PT. NSK Indonesia Jakarta tel: 021-252-3458

**Korea:**  
 NSK Korea Co., Ltd. Seoul Changwon Plant [www.kr.nsk.com](http://www.kr.nsk.com)  
 tel: 02-3287-0300  
 tel: 055-287-6001

**Malaysia:**  
 NSK Bearings (Malaysia) Sdn. Bhd. Kuala Lumpur tel: 03-7722-3373  
 NSK Micro Precision (M) Sdn. Bhd. Malaysia Plant tel: 03-8961-6288

**New Zealand:**  
 NSK New Zealand Ltd. Auckland [www.nsk-rhp.co.nz](http://www.nsk-rhp.co.nz)  
 tel: 09-276-4992

**Philippines:**  
 NSK Representative Office Manila tel: 02-759-6246

**Singapore:**  
 NSK International (Singapore) Pte Ltd. Singapore tel: 65-6273-0357  
 NSK Singapore (Pte) Ltd. [www.nsk-singapore.com.sg](http://www.nsk-singapore.com.sg)  
 Singapore tel: 65-6278-1711

**Taiwan:**  
 Taiwan NSK Precision Co., Ltd. Taipei tel: 02-2509-3305  
 Taiwan NSK Technology Co., Ltd. Taipei tel: 02-2509-3305

**Thailand:**  
 NSK Bearings (Thailand) Co., Ltd. Bangkok tel: 02-6412-150  
 NSK Bearings Manufacturing (Thailand) Co., Ltd. Chonburi tel: 038-454010-454016  
 SIAM NSK Steering Systems Co., Ltd. Chachoengsao tel: 038-522-343-350  
 NSK Asia Pacific Technology Center (Thailand) Co., Ltd. Chonburi tel: 038-454631-454633

**Vietnam:**  
 NSK Representative Office Hanoi tel: 04-935-1269  
 Ho Chi Minh City tel: 08-822-7907

**Europe (European Headquarters)** [www.eu.nsk.com](http://www.eu.nsk.com)  
 Maidenhead, U.K. tel: 01628-509800  
**France:**  
 NSK France S.A.S. Paris tel: 01-30-57-39-39  
**Germany:**  
 NSK Deutschland GmbH Düsseldorf tel: 02102-481-0  
 NSK Precision Europe GmbH Düsseldorf tel: 02102-481-0  
 NSK Steering Systems Europe Ltd. Stuttgart tel: 0771-79082-277  
 Neuweg Fertigung GmbH Munderkingen tel: 07393-540  
**Italy:**  
 NSK Italia S.p.A. Milano tel: 02-995-19-1

Industria Cuscinetti S.p.A. Torino Plant tel: 0119824811

**Netherlands:**  
 NSK European Distribution Centre B.V. Tilburg tel: 013-4647647

**Poland:**  
 NSK Europe Ltd. Warsaw Liaison Office Warsaw tel: 022-645-1525, 1526  
 NSK Iskra S.A. Kielce tel: 041-367-0505

NSK European Technology Center, Poland Office Kielce tel: 041-366-5812  
 NSK Steering Systems Europe (Polska) Sp.z.o.o. Walbrzych tel: 074-664-4101

**Spain:**  
 NSK Spain S.A. Barcelona tel: 093-289-27-63

**Turkey:**  
 NSK Bearings Middle East Trading Co., Ltd. Istanbul tel: 0216-355-0398

**United Kingdom:**  
 NSK Bearings Europe Ltd. Peterlee Plant tel: 0191-586-6111  
 NSK European Technology Centre Newark tel: 01636-605123

NSK UK Ltd. Newark tel: 01636-605123  
 NSK Precision UK Ltd. Newark tel: 01636-605123

NSK Steering Systems Europe Ltd. Coventry tel: 024-76-588588

**North and South America**  
**NSK Americas, Inc. (American Headquarters)**  
 Ann Arbor tel: 734-913-7500

**Argentina:**  
 NSK Argentina SRL Buenos Aires tel: 11-4704-5100

**Brazil:**  
 NSK Brasil Ltda. São Paulo [www.br.nsk.com](http://www.br.nsk.com)  
 tel: 011-3269-4786

**Canada:**  
 NSK Canada Inc. Toronto [www.ca.nsk.com](http://www.ca.nsk.com)  
 tel: 905-890-0740

**Mexico:**  
 NSK Rodamientos Mexicana, S.A. de C.V. Mexico City [www.mx.nsk.com](http://www.mx.nsk.com)  
 tel: 55-5390-4312

**United States of America:** [www.us.nsk.com](http://www.us.nsk.com)  
 NSK Corporation Ann Arbor tel: 734-913-7500  
 NSK American Technology Center Ann Arbor tel: 734-913-7500  
 NSK Precision America, Inc. Franklin tel: 317-738-5000

[www.nsa.nsk.com](http://www.nsa.nsk.com)  
 NSK Steering Systems America, Inc. Bennington, Vermont tel: 802-442-5448  
[www.la.nsk.com](http://www.la.nsk.com)  
 NSK Latin America, Inc. Miami tel: 305-477-0605

NSK Ltd. has a basic policy not to export any products or technology designated as controlled items by export-related laws. When exporting the products in this brochure, the laws of the exporting country must be observed. Specifications are subject to change without notice and without any obligation on the part of the manufacturer. Every care has been taken to ensure the accuracy of the data contained in this brochure, but no liability can be accepted for any loss or damage suffered through errors or omissions. We will gratefully acknowledge any additions or corrections.

For more information about NSK products, please contact:



Printed on 100% recycled paper.