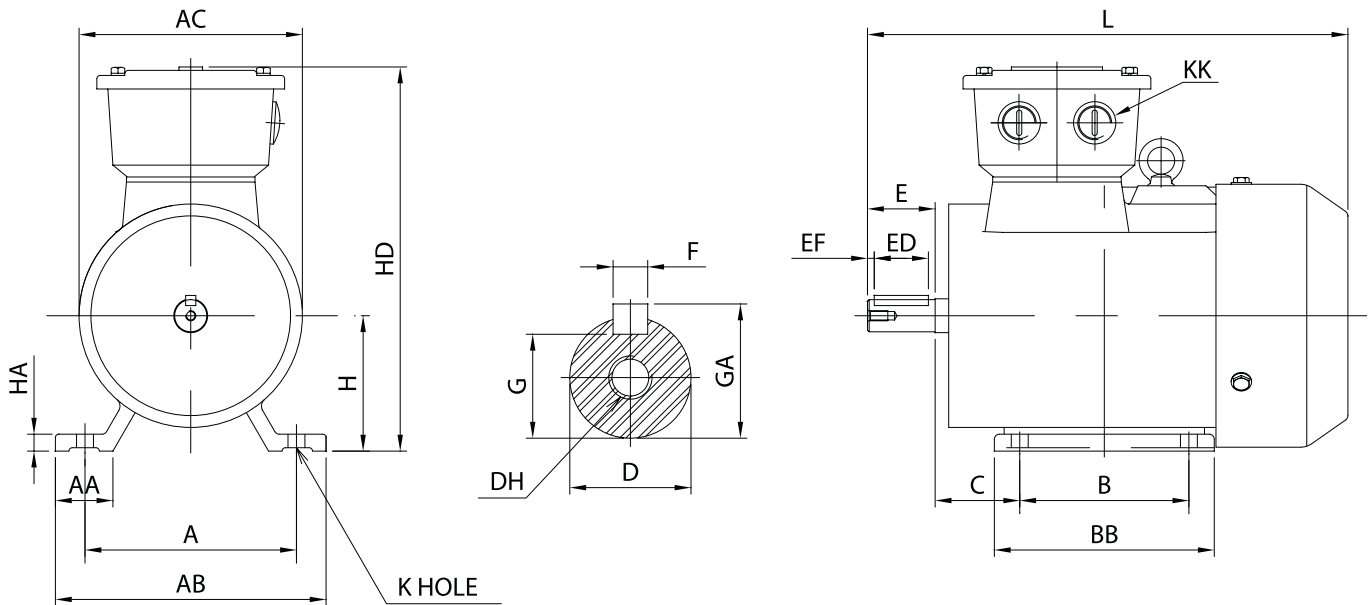


Motor Type AEEVUK

Foot-mounting B3 (IM 1001) - Dimensions



OUTPUT KW					Frame Size	A	AA	AB	AC	B	BB	C	D
2P	4P	6P	8P	10P									
55	---	---	---	---	250M-2	406	80	484	485	349	445	168	60m6
---	55	37	30	---	250M	406	80	484	485	349	445	168	65m6
75	---	---	---	---	280S-2	457	85	542	547	368	485	190	65m6
---	75	45	37	---	280S	457	85	542	547	368	485	190	75m6
90	---	---	---	---	280M-2	457	85	542	547	419	536	190	65m6
---	90	55	45	---	280M	457	85	542	547	419	536	190	75m6
110	---	---	---	---	315S-2	508	120	628	620	406	570	216	65m6
---	110	75	55	45	315S	508	120	628	620	406	570	216	80m6
132	---	---	---	---	315M-2	508	120	628	620	457	680	216	65m6
---	132	90	75	55	315M	508	120	628	620	457	680	216	80m6
160 / 200	---	---	---	---	315L-2	508	120	628	620	508	680	216	65m6
---	160 / 200	110 / 132	90 / 110	75 / 90	315L	508	120	628	620	508	680	216	80m6
250	---	---	---	---	355M-2	610	116	726	710	560	750	254	80m6
---	250	160 / 200	132 / 160	110 / 132	355M	610	116	726	710	560	750	254	100m6
315	---	---	---	---	355L-2	610	116	726	710	630	750	254	80m6
---	315	250	200	160	355L	610	116	726	710	630	750	254	100m6

Frame Size	DH	E	ED	EF	F	G	GA	H	HA	HD	K	KK	L	BEARINGS	
														Drive End	NDE
250M-2	M20 X40	140	125	7.5	18	53	64	250	30	609	24	M63 X 1.5	931	6314C3	6314C3
250M	M20 X40	140	125	7.5	18	58	69	250	30	609	24	M63 X 1.5	931	6314C3	6314C3
280S-2	M20 X40	140	125	7.5	18	58	69	280	35	668	24	M63 X 1.5	981.5	6314C3	6314C3
280S	M20 X40	140	125	7.5	20	67.5	79.5	280	35	668	24	M63 X 1.5	1004.5	6317C3	6317C3
280M-2	M20 X40	140	125	7.5	18	58	69	280	35	668	24	M63 X 1.5	1032.5	6314C3	6314C3
280M	M20 X40	140	125	7.5	20	67.5	79.5	280	35	668	24	M63 X 1.5	1055.5	6317C3	6317C3
315S-2	M20 X40	140	125	7.5	18	58	69	315	45	875	28	M63 X 1.5	1185	6317C3	6317C3
315S	M20 X40	170	160	5	22	71	85	315	45	875	28	M63 X 1.5	1215	NU319C3	6319C3
315M-2	M20 X40	140	125	7.5	18	58	69	315	45	875	28	M63 X 1.5	1295	6317C3	6317C3
315M	M20 X40	170	160	5	22	71	85	315	45	875	28	M63 X 1.5	1325	NU319C3	6319C3
315L-2	M20 X40	140	125	7.5	18	58	69	315	45	875	28	M63 X 1.5	1295	6317C3	6317C3
315L	M20 X40	170	160	5	22	71	85	315	45	875	28	M63 X 1.5	1325	NU319C3	6319C3
355M-2	M20 X 40	170	140	5	22	71	85	355	52	1005	28	M72 X 2.0	1530	6319C3	6319C3
355M	M24 X48	210	180	5	28	90	106	355	52	1005	28	M72 X 2.0	1570	NU322C3	6322C3
355L-2	M20 X 40	170	140	5	22	71	85	355	52	1005	28	M72 X 2.0	1530	6319C3	6319C3
355L	M24 X48	210	180	5	28	90	106	355	52	1005	28	M72 X 2.0	1570	NU322C3	6322C3

- Note : 1. Dimensions in mm
 2. Tolerance of shaft diameter D : m6
 3. Tolerance of shaft centre height H : +0, -0.5 for frame 250M, and +0, -1 for frame 280 and larger.
 4. 2 Pole 45KW and above, 4 Pole 160KW and above are for direct coupling drive only.
 Consult TECO for belt & pulley drive of these mentioned motors.
 5. Data is subject to change without prior notification.